

A-ISE sc Ammonium probe with RFID technology

Applications

- Wastewater



Single ISE probe for the on-line measurement of Ammonium provides trending information with minimal maintenance at an affordable price.

Cost-effective trending information

The A-ISE sc sensor utilises ion selective electrode (ISE) technology to provide your plant with high level trending information while saving money by eliminating the need for reagents and sample preparation.

Minimal maintenance with simple cartridge replacement

The sensor operates within in a Cartrical cartridge that comes factory calibrated so little maintenance is necessary. Cartridge replacement is simple: unscrew the old cartridge, plug in the new one, and the sensor is ready for measurement. Using RFID* technology, the factory calibration is automatically identified after replacing the cartridge.

*RFID technology available in all EU countries plus e.g. Norway, Switzerland, Serbia, Macedonia, Turkey, Russia et al. For other countries please ask your local Hach contact person.

Simple, accurate calibration

Easy to perform, fail-safe calibration corrections compensate for naturally occurring calibration drift in ISE instruments. An advanced menu structure allows you to perform corrections without manual entry of values via Ethernet, SD card or Bluetooth.



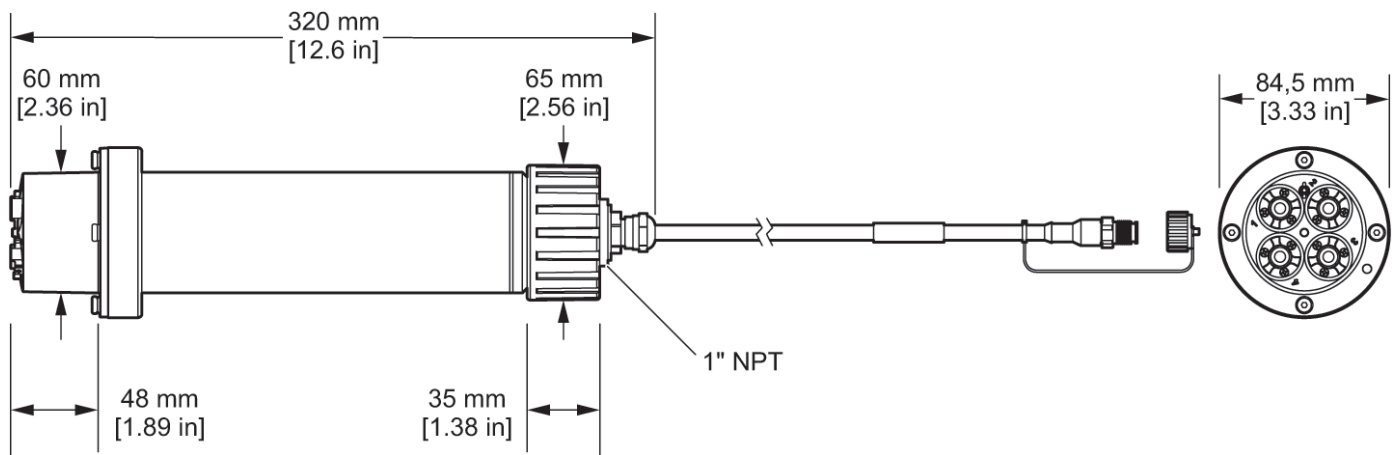
Be Right™

Technical Data*

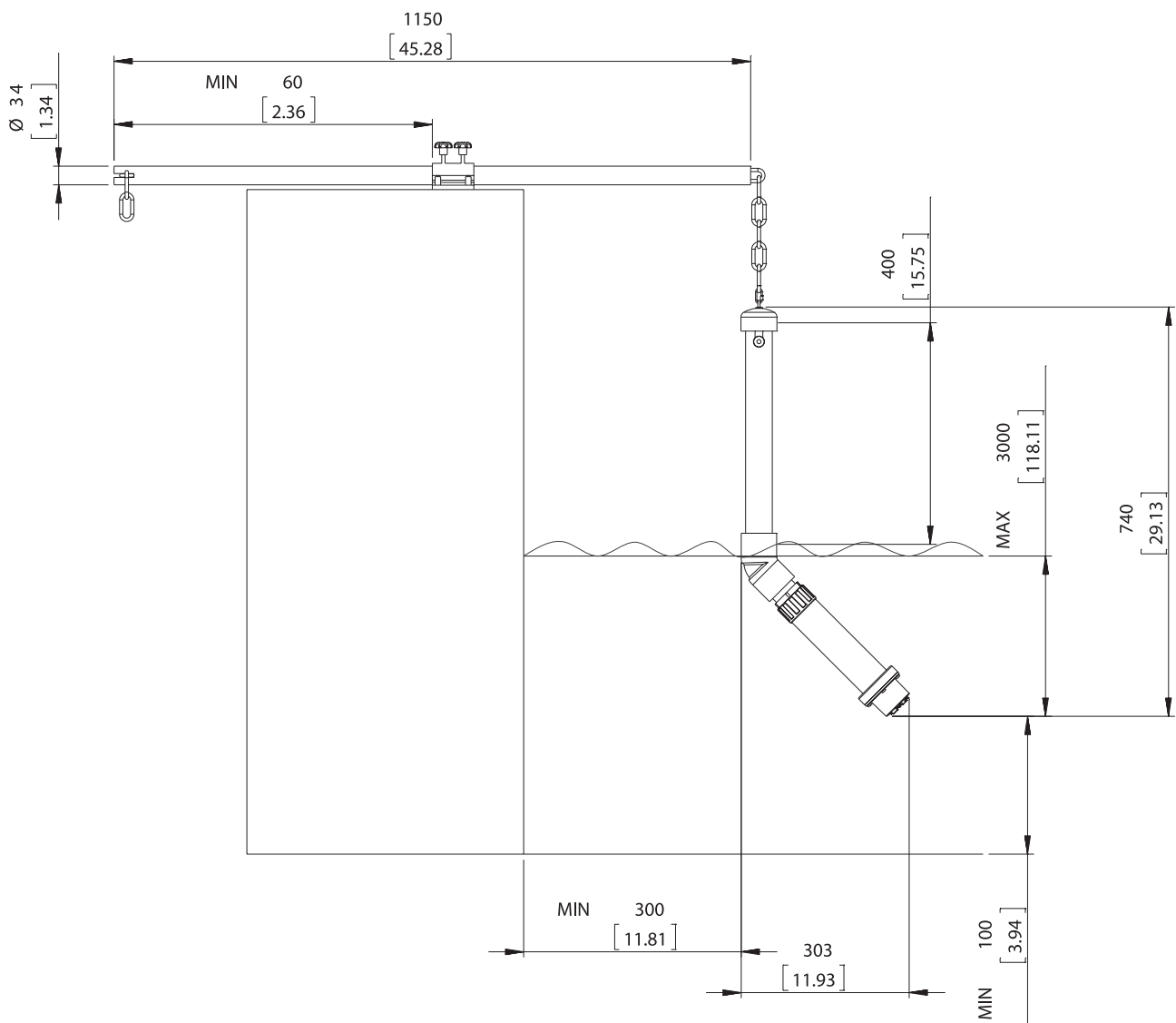
Measurement method	Potentiometric ion-selective measurement	Measuring interval	Continuous
Measuring range	0 - 1000 mg/L NH ₄ -N	Detection limit	0.2 mg/L NH ₄ -N
pH Range	5 - 9 pH	Dimensions (D x L)	84,5 mm x 320 mm
Accuracy	5% of measured value + 0.2 mg/L (with standard solutions) NH ₄ -N	Installation angle	45° ± 15° (vertical in flow direction)
Response time	< 3 min	Cable length	10 m fixed cable at sensor, extendable to 100m
Calibration method	With Cartrical plus technology: automatic import of factory calibration data from cartridge to probe by RFID*; 1 and 2 point matrix correction	Controller compatibility	SC200, SC1000, SC1500
Sample temperature	2 - 40 °C	Process connection	1 inch thread
Operating temperature range	Air: -20 - 45 °C	Protection class	IP68
Sensor cartridge	With Cartrical plus technology: compact housing containing calibrated electrodes for ammonium, potassium, reference system and temperature sensor, all calibrated to each other; typical lifetime 12 months	Sample pressure	0.3 bar max.
Flow	< 4 m/s max.	Storage conditions	5 - 40 °C sensor cartridge
Wetted materials	Probe: Stainless Steel 1.4571; ASA + PC, silicon; PVC and PU; Sensor cartridge: PVC; POM; ABS; Stainless Steel 1.4571; NBR	Weight	2.4 kg

**Subject to change without notice.*

Dimensions



Installation / Mounting



Order Information

Probes

LXV440.99.10001 A-ISE sc ISE Ammonium probe with RFID* technology

LXV440.99.10011 A-ISE sc ISE Ammonium probe

**RFID = Radio Frequency Identification*

RFID technology available in all EU countries plus e.g. Norway, Switzerland, Serbia, Macedonia, Turkey, Russia et al. For other countries please ask your local Hach contact person.

Mounting Hardware

6184900 Rail mounting kit (PVC) for ISE sensors

LZX914.99.12400 Chain mounting kit (PVC) for ISE sensors

LZY714.99.32620 Rim mounting kit (stainless steel) for A-ISE sc sensors

Cartridge

LZY694 Cartridge sensor cartridge for AN-ISE sc/A-ISE sc/N-ISE sc sensors

Air Cleaning Systems (optional)

LZY706 Cleaning unit for AN-ISE sc/A-ISE sc/N-ISE sc sensors

6860000 High output air blast cleaning system, 115 VAC

6860100 High output air blast cleaning system, 230 VAC

Controllers

LXV404.99.xxxxx SC200 Digital Controller for connecting up to 2 sensors

LXV400.99.xxxxx SC1000 Probe Module for connecting up to 8 sensors

LXV402.99.xxxxx SC1000 Display Module (to be placed on a Probe Module)

LXV446.99.xxxxx SC1500 Digital Controller for connecting up to 6 sensors, with communication capability for Mobile Sensor Management (MSM)

There are many options available for each controller. Please contact Hach for more information.

Be confident with Hach Service

Start-Up/Commissioning:

Our service technicians visit your site and setup instrumentation, provide basic end-user training on operations and maintenance, and validate settings and performance to get you started.

Service Agreement:

Hach provides on-site and in-factory repair, preventive maintenance, and calibration programs for your instruments to ensure reliability and instrument up-time. We have services to fit your specific needs.